



# WIM-LP7510

## Weighing indicator

WIM-SYSTEMS

### Main Characteristics

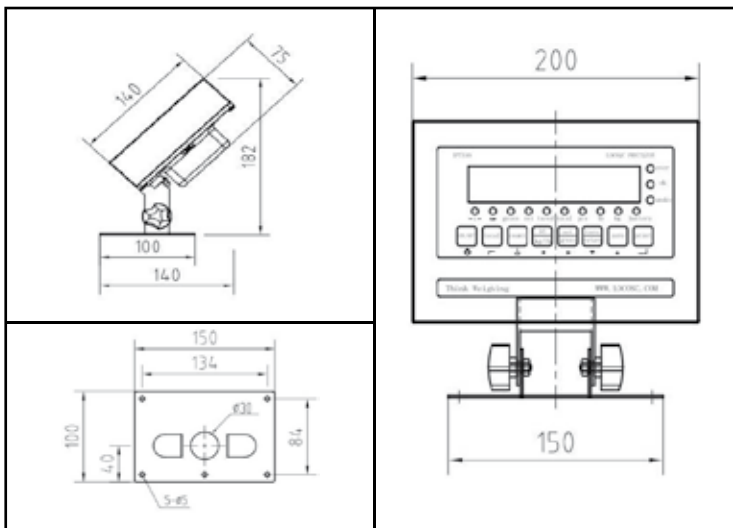
- Stainless steel or mild steel enclosure
- 6 digits 0.8" LED or LCD display
- Capacity: up to six 350 ohms load cells
- Full Duplex RS-232 port (transmits data on demand or matches the input requirement of a variety of devices including printers, remote displays and computers)
- NTEP approved for 5000 divisions
- Data hold function
- I/O Card to perform automatic control external machine (optional)
- Displays up to 30,000 graduations
- Operates on AC Adapter or 9 Volt DC



### Specifications

Accuracy class	6000 e
Display resolution	30,000
ADC resolution	2,000,000
Zero stability error	TK0 < 0.1 $\mu$ V//K
Span stability error	TKspn < $\pm$ 6 ppm//K
Conversion time	50 ms
Sensitibity (internal)	0.12 $\mu$ V /count
Input voltage	-30~30mV DC
Excitation circuit	5 VDC, 4 wire connection, all strain gauge, minimum capacity of 50 , e.g.: 6 load cells of 350
AC power	AC100~250V
DC power	DC6V/4Ah rechargeable battery, 700mA
Operation temperature	- 10 $^{\circ}$ C to 40 $^{\circ}$ C
Storage temperature	- 40 $^{\circ}$ C to 70 $^{\circ}$ C
Indicator Dimensions	7.87"(L) X 2.95"(W) X 7.17"(H)

### Physical Dimension (mm)



WIM-LP7510

